



BERG GO-KART
XL Frame BFR



BERG XL Frame BFR + all related themes

The *ultimate* quality go-kart!

years **5+**
125 to 190 cm

BERGTOYS.COM



WHY A BERG GO-KART?

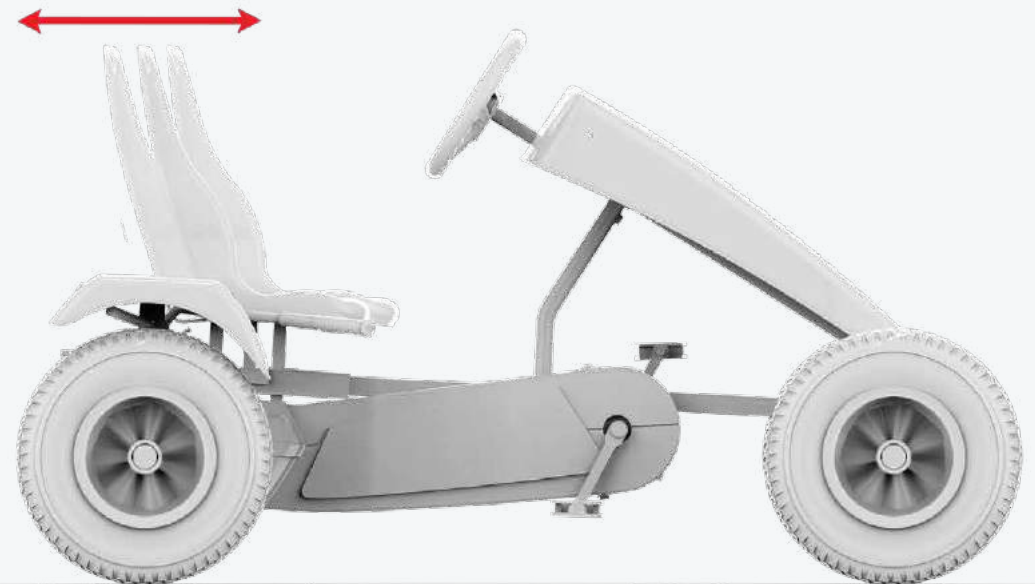
Inspiring Active Play

Enjoy your ride! The classic go-kart is based on more than 30 years of manufacturing experience. You will feel, hear and see the benefits of that experience while driving this kart.

The BERG Go-kart is definitely the safest choice for children from 5 years and older (the E-BFR go-kart is for children from 6 years and older).

1. ADJUSTABLE SEAT

Every BERG Frame has an adjustable seat. The seat can be set in 6 different positions resulting in many years of driving pleasure!



The *ultimate*
quality go-kart!



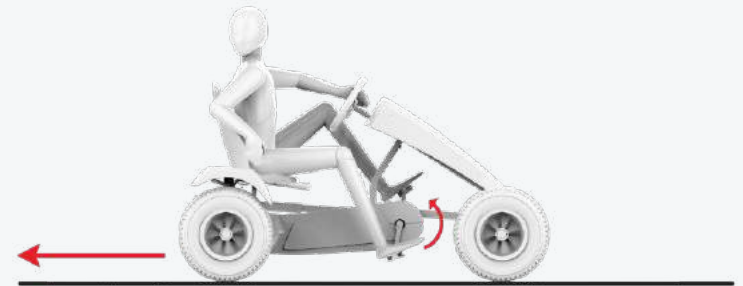
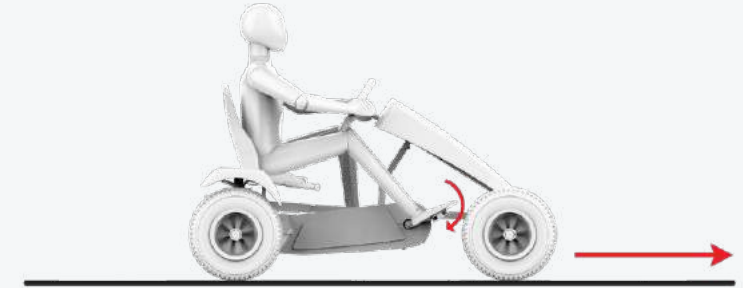
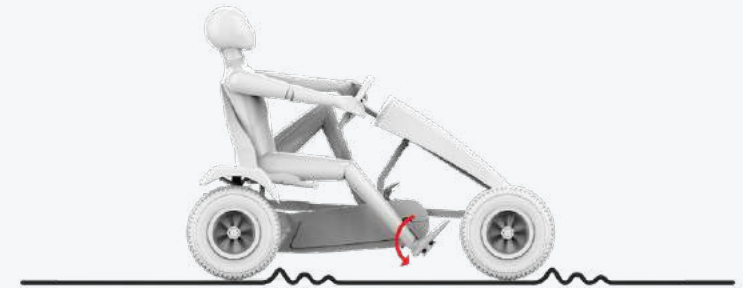


2. BFR SYSTEM

BFR stands for: Brake, Freewheel and Reverse. The BFR system allows you to brake using the pedals, but also reverse immediately after coming to a standstill. In addition, the freewheel ensures that the pedals remain stationary while the wheels are turning.

This happens completely automatically, without having to shift gears. The back-pedal brakes allow you to brake hard and fast.

It can be hard for children to keep their feet on the pedals in a controlled way at high speeds or when unexpected things happen. Due to the freewheel, the pedals stop turning as soon as the driver of the pedal go-kart stops pedaling. All this ensures a safe pedal go-kart that children and older people can have a lot of fun with.



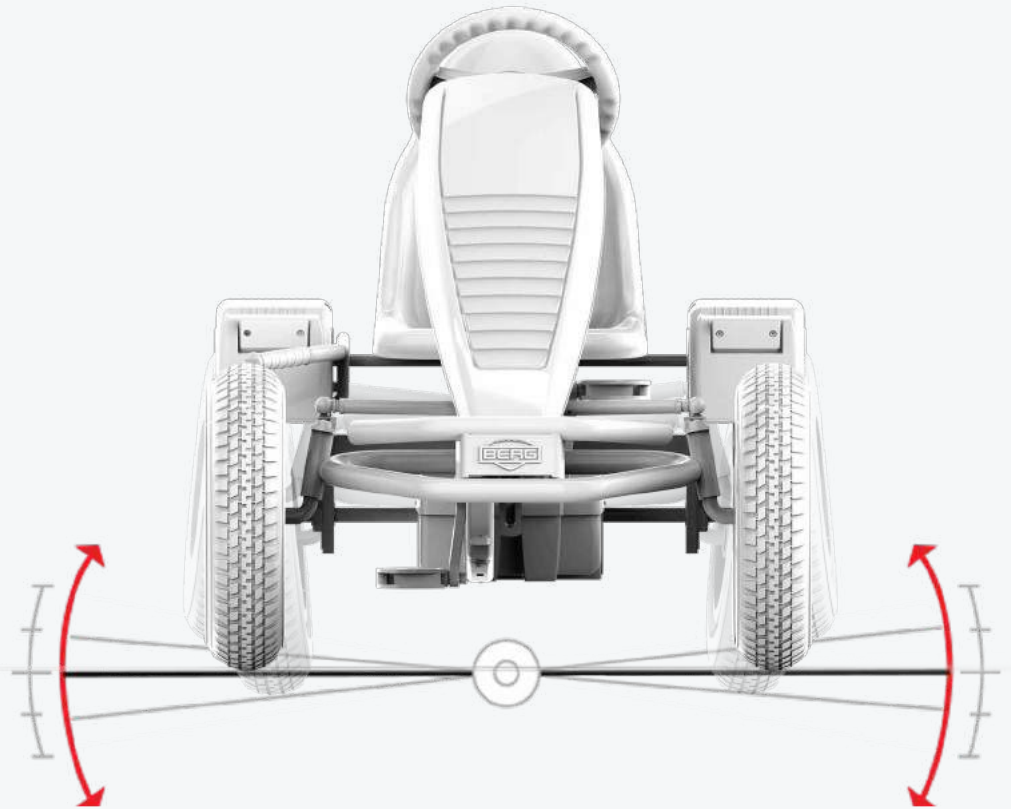


3. COMFORTABLE DRIVING

BERG Pedal go-karts have several features that enable you to ride around very comfortably. To start with, the pedal carts have four pneumatic tires. Pneumatic tires ensure more grip on the road and make your ride more comfortable. Pneumatic tires also have less rolling resistance than solid tires, which allows you to drive faster.

The swing axles of the pedal cart ensures that all four of the wheels are always touching the ground, even on uneven terrains.

Due to the double ball bearings of the steering mechanism, steering is light and supple and you are very agile. The roller bearing in the wheels ensure that you can play for a long time without getting tired.



The *ultimate*
quality go-kart!



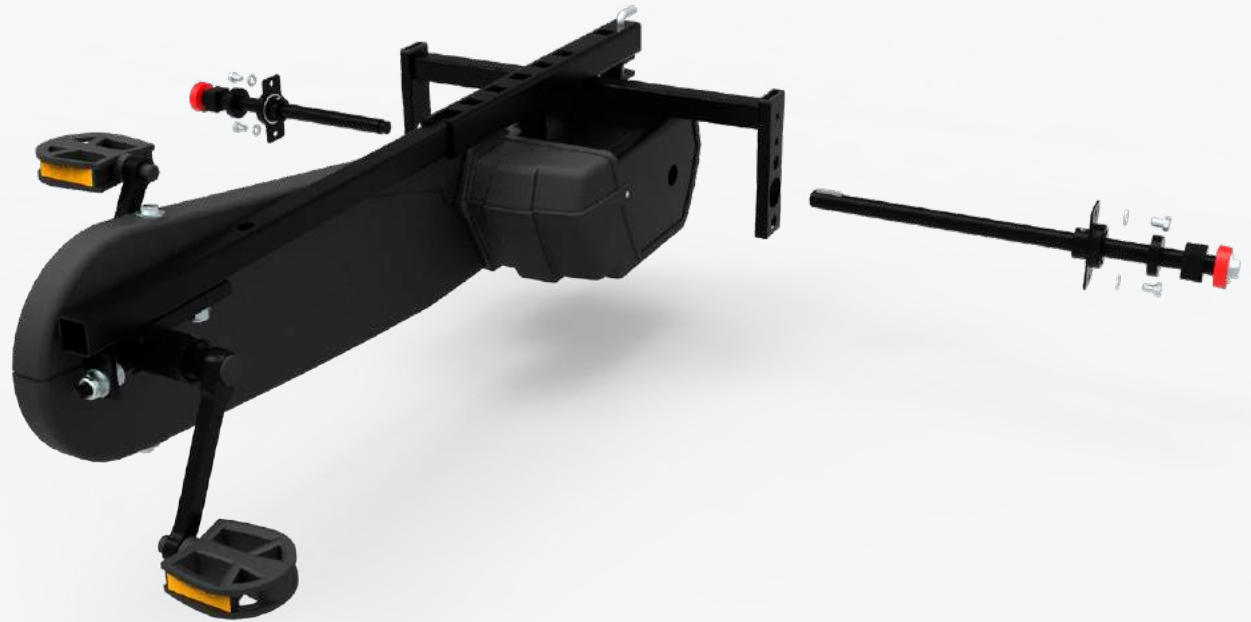


4. EASY ASSEMBLING

The BERG Pedal go-karts are easy to assemble. The rear axles must be placed on the left and right inside the casing of the chain cover. This can be done without opening the chain cover. The two bolts on both sides must then be tightened.

Now attach a few more components, such as the seat, the wheels and the steering wheel, and you're all done!

The frame has been designed in such a way that maintenance work can be done easily later on. The chain cover is easy to open, and the chain tensioner is accessible.

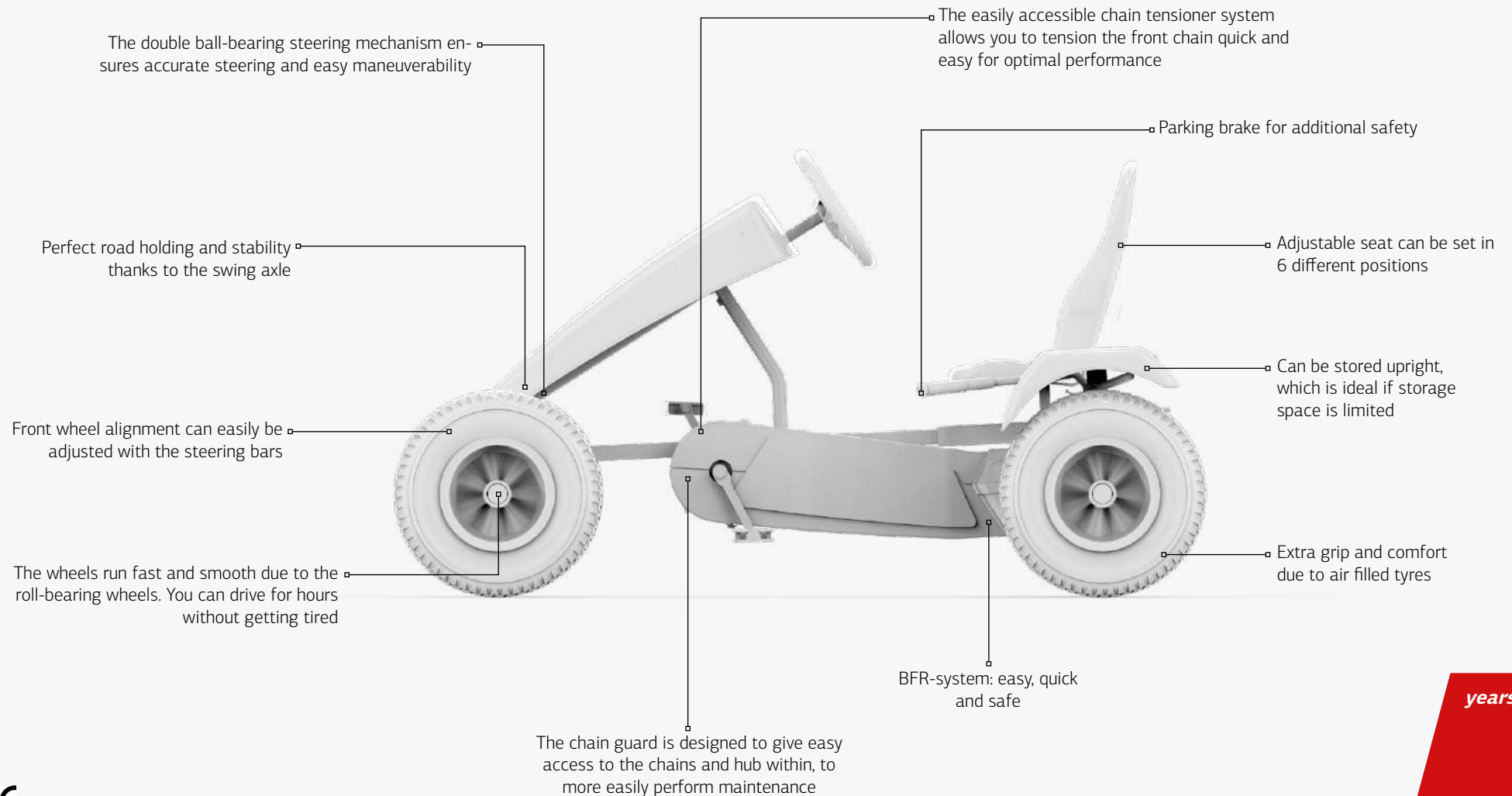


The *ultimate*
quality go-kart!





5. CHARACTERISTICS





07.10.20.00

BERG XL B.PURE BLUE BFR

Inspiring Active Play

The classic pedal go kart that Berg became famous for, has been completely restyled. You can still choose from three different models: Basic Pure, Basic Rapid and Basic Super. You're never too big for the Basic. You can start using it from the age of five and even adults still like to ride it.



Weight product: 39 kg
 Packaging dimensions Weight+box
 Frame: 100x40x58.5 31.5 kg
 Theme: 41x50x58 15.2 kg

years **5+**
 125 to 190 cm



07.10.21.00

BERG XL B.RAPID BLUE BFR

Inspiring Active Play

The solid and durable frame guarantees many years of fun during summer, and all other seasons. There are many accessories available like passenger seats, trailers, flashlights and others.

Let's play outside together with your friends and explore the world!



Weight product: 40.5 kg
 Packaging dimensions Weight+box
 Frame: 100x40x58.5 31.5 kg
 Theme: 41x50x58 16.9 kg

years
5+
 125 to 190 cm



07.10.22.00

BERG XL B.SUPER BLUE BFR

Inspiring Active Play

Do you want the most comprehensive classic? Then choose the BERG XL B. Super Blue BFR. This cool go-kart in a blue jacket has mudguards with reflection and a nice hood on the front. The swing axle ensures that you can also drive safely on non-flat surfaces.



Weight product: 42.5 kg
Packaging dimensions Weight+box
Frame: 100x40x58.5 31.5 kg
Theme: 100x58x31.5 20.6 kg

years

5+

125 to 190 cm

BERGTOYS.COM

EAN-CODE: **8715839078978**



07.10.23.00

BERG XL B.SUPER RED BFR

Inspiring Active Play

Do you want the most comprehensive classic? Then choose the BERG XL B. Super Red BFR. This cool go-kart in a red jacket has mudguards with reflection and a nice hood on the front. The swing axle ensures that you can also drive safely on non-flat surfaces.



Weight product: 42.5 kg
Packaging dimensions Weight+box
Frame: 100x40x58.5 31.5 kg
Theme: 100x58x31.5 20.6 kg

years

5+

125 to 190 cm

BERGTOYS.COM

EAN-CODE: **8715839078985**



07.10.24.00

BERG XL B.SUPER YELLOW BFR

Inspiring Active Play

Do you want the most comprehensive classic? Then choose the BERG XL B. Super Yellow BFR. This cool go-kart in a yellow jacket has mudguards with reflection and a nice hood on the front. The swing axle ensures that you can also drive safely on non-flat surfaces.



Weight product: 42.5 kg
Packaging dimensions Weight+box
Frame: 100x40x58.5 31.5 kg
Theme: 100x58x31.5 20.6 kg

years

5+

125 to 190 cm

BERGTOYS.COM

EAN-CODE: **8715839078992**



07.10.08.01

BERG XL X-CROSS BFR

Inspiring Active Play

With its sturdy looks, this go-kart looks solid, and it sure is solid! This kart is designed for great outdoor adventures. With the five-spoke rim and air filled tyres you can easily drive through the mud. An extra spatter doesn't matter. The tyres spin smoothly thanks to the ball bearings. Therefore your kart drives light. That enables you to have long and serious adventures outside!



Weight product: 43.1 kg
Packaging dimensions Weight+box
Frame: 100x40x58.5 31.5 kg
Theme: 58x31.5x100 22.4 kg

years

5+

125 to 190 cm

BERGTOYS.COM

EAN-CODE: **8715839070101**



07.10.03.00

BERG XL X-PLORE BFR

Inspiring Active Play

Asphalt and concrete is not what you want. You prefer off-road. Forest, fields, all rough and undiscovered terrains. That is possible with this kart! The special off-road tyres, combined with the swing axle give you an optimal grip on rough terrain.



Front fenders equipped as standard

Real off-road tyres for extra grip during your outdoor adventures



Weight product: 45 kg

Packaging dimensions Weight+box

Frame: 100x40x58.5 31.5 kg

Theme: 58x41.5x100 24.1 kg

years

5+

125 to 190 cm

BERGTOYS.COM

EAN-CODE: **8715839050967**



07.10.17.00

BERG XL X-ITE BFR

Inspiring Active Play

BERG has designed the BERG XL X-ite especially for lovers of cool go-karts. The graphics are inspired by off-road motorcycles and give the go-kart its cool appearance. Details, such as the extra cool sticker on the frame, make the go-kart complete.



Weight product: 43.6 kg
Packaging dimensions Weight+box
Frame: 100x40x58.5 31.5 kg
Theme: 58x41.5x100 20.6 kg

years

5+

125 to 190 cm

BERGTOYS.COM

EAN-CODE: **8715839072761**



07.11.06.00

JEEP® REVOLUTION PEDAL GO-KART XL BFR

Inspiring Active Play

From now on you can tackle anything, because the Jeep® Revolution pedal go-kart will never let you down! This tough go-kart has real off-road tyres. Combined with the swing axle, you are sure to have grip on every rough terrain. Because of the adjustable seat, even your parents will be able to enjoy riding (if you let them). With the adjustable steering bars you can align your wheels for a perfect alignment.

BERG also offers a spare wheel. If you use this one, you will never face any unpleasant surprises.



Official Jeep, licensed product

Comes with off-road tyres as standard for extra grip



Jeep, the Jeep grille and related logos, vehicle model names and trade dress are trademarks of FCA US LLC and used under license by BERG Toys. ©2021 FCA US LLC.



Weight product: 46.5 kg
Packaging dimensions Weight+box
Frame: 100x40x58.5 31.5 kg
Theme: 58x41.5x100 23.6 kg

years **5+**
125 to 190 cm



07.10.14.00

BERG XL RACE GTS BFR

Inspiring Active Play

How long have you been dreaming about a real racing car? Everyone will turn their heads to look at you in this cool BERG XL Race GTS; if they get the chance that is, because you will soon be tearing off again! Thanks to the pneumatic tyres and aerodynamic spoiler you are guaranteed high speeds. Make your go-kart look even better by adding various accessories.



The BERG XL Race GTS is designed for speed. The special racing tyres give you the ultimate racing sensation



Weight product: 47.5 kg
Packaging dimensions Weight+box
Frame: 100x40x58.5 31.5 kg
Theme: 58x41.5x100 26.6 kg

years

5+

125 to 190 cm

BERGTOYS.COM

EAN-CODE: **8715839067651**



07.10.15.00

BERG XL RACE GTS FULL SPEC BFR

Inspiring Active Play

How long have you been dreaming about a real racing car? Everyone will turn their heads to look at you in this cool BERG XL Race GTS Full spec; if they get the chance that is, because you will soon be tearing off again! Thanks to the pneumatic tyres and aerodynamic spoiler you are guaranteed high speeds. The BERG XL Race GTS Full spec is fitted with cool side skirts and front mudguards as standard.

The BFR-system allows you to break with the pedals, but also drive backwards immediately after a standstill



Including cool side skirts



Weight product: 53.8 kg
 Packaging dimensions Weight+box
 Frame: 100x40x58.5 31.5 kg
 Theme: 58x41.5x100 26.6 kg

years

5+

125 to 190 cm

BERGTOYS.COM

EAN-CODE: **8715839068801**



07.10.05.00

BERG XL BLACK EDITION BFR

Inspiring Active Play

With its outstanding design elements the Black Edition is a special car for unique children. The sturdy, large tyres can handle every surface. The dark color enables you to have undercover adventures. With the aerodynamic spoiler and air filled tyres, you are quicker than everyone else. So no one can catch you! Thanks to roll bearings and ball bearing steering mechanism, you make almost no noise. Nobody will hear you during your special missions.



▫ Aerodynamic spoiler and fenders

▫ Equipped with sturdy and nice looking tyres



Weight product: 43.6 kg
Packaging dimensions Weight+box
Frame: 100x40x58.5 31.5 kg
Theme: 58x31.5x100 22.5 kg

years

5+

125 to 190 cm

BERGTOYS.COM

EAN-CODE: **8715839050981**



07.11.01.00

BERG XL CLAAS BFR

Inspiring Active Play

Especially on the farm you can find the freedom and space to enjoy outdoor adventures. This BERG XL CLAAS pedal go kart will support you during these adventures. It is an officially licensed product and the design is based on real CLAAS tractors. It is equipped with impressive rugged tyres which have extreme grip on muddy surfaces. The coloring, decals and exhaust pipe make this kart a real CLAAS for the young farmer and CLAAS fan.



CLAAS

BERGTOYS.COM



Weight product: 51 kg
Packaging dimensions Weight+box
Frame: 100x40x58.5 31.5 kg
Theme: 58x41.5x100 30.6 kg

years

5+

125 to 190 cm

EAN-CODE: **8715839051032**



07.11.00.00

BERG XL JOHN DEERE BFR

Inspiring Active Play

Especially on the farm you can find the freedom and space to enjoy outdoor adventures. This BERG XL John Deere pedal go kart will support you during these adventures. It is an officially licensed product and the design is based on real John Deere tractors. It is equipped with impressive rugged tyres which have extreme grip on muddy surfaces. The coloring, decals and exhaust pipe make this kart a real John Deere for the young farmer and John Deere fan.

The exhaust pipe and real tractor tyres give your child the feeling of really being on a farm



The BFR-system allows you to break with the pedals, but also drive backwards immediately after a standstill



Weight product: 51 kg
 Packaging dimensions Weight+box
 Frame: 100x40x58.5 31.5 kg
 Theme: 58x41x100 30.6 kg

years **5+**
125 to 190 cm

BERGTOYS.COM

EAN-CODE: **8715839051025**



07.11.02.00

BERG XL CASE IH BFR

Inspiring Active Play

Especially on the farm you can find the freedom and space to enjoy outdoor adventures. This BERG Case IH pedal go kart will support you during these adventures. It is an officially licensed product and the design is based on real Case IH tractors. It is equipped with impressive rugged tyres which have extreme grip on muddy surfaces. The coloring, decals and exhaust pipe make this kart a real Case IH for the young farmer and Case IH fan.



Special Case IH design

Comes with a cool registration plate



Weight product: 51 kg

Packaging dimensions Weight+box

Frame: 100x40x58.5 31.5 kg

Theme: 58x41.5x100 30.6 kg

years

5+

125 to 190 cm

BERGTOYS.COM

EAN-CODE: **8715839051049**



07.11.04.00

BERG XL FENDT BFR

Inspiring Active Play

Especially on the farm you can find the freedom and space to enjoy outdoor adventures. This BERG XL Fendt pedal go kart will support you during these adventures. It is an officially licensed product and the design is based on real Fendt tractors. It is equipped with impressive rugged tyres which have extreme grip on muddy surfaces. The coloring, decals and exhaust pipe make this kart a real Fendt for the young farmer and Fendt fan.



Adjustable seat

Comes with a cool registration plate



Weight product:	51 kg	
Packaging dimensions	Weight+box	
Frame:	100x40x58.5	31.5 kg
Theme:	58x41.5x100	30.6 kg

years

5+

125 to 190 cm

BERGTOYS.COM

EAN-CODE: **8715839051063**



07.11.03.00

BERG XL NEW HOLLAND BFR

Inspiring Active Play

Especially on the farm you can find the freedom and space to enjoy outdoor adventures. This BERG XL New Holland pedal go kart will support you during these adventures. It is an officially licensed product and the design is based on real New Holland tractors. It is equipped with impressive rugged tyres which have extreme grip on muddy surfaces. The coloring, decals and exhaust pipe make this kart a real New Holland for the young farmer and New Holland fan.

All BERG Farm models come equipped with an exhaust pipe



Equipped with tractor tyres



Weight product: 51 kg
Packaging dimensions Weight+box
Frame: 100x40x58.5 31.5 kg
Theme: 58x41.5x100 30.4 kg

years

5+

125 to 190 cm



07.11.05.00

BERG XL DEUTZ-FAHR BFR

Inspiring Active Play

Especially on the farm you can find the freedom and space to enjoy outdoor adventures. This BERG XL DEUTZ-FAHR pedal go kart will support you during these adventures. It is an officially licensed product and the design is based on real DEUTZ-FAHR tractors. It is equipped with impressive rugged tyres which have extreme grip on muddy surfaces. The coloring, decals and exhaust pipe make this kart a real DEUTZ-FAHR for the young farmer and DEUTZ-FAHR fan.



Easy braking due to the handbrake

Equipped with real tractor tyres



Weight product: 51 kg
 Packaging dimensions Weight+box
 Frame: 100x40x58.5 31.5 kg
 Theme: 58x41.5x100 30.6 kg

years **5+**
125 to 190 cm

BERGTOYS.COM

EAN-CODE: **8715839051070**

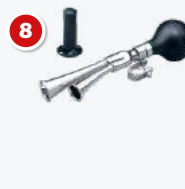


BERG LRO ACCESSORIES

Inspiring Active Play

Accessorie	Art. nr.	Netto weight	Tare weight	Gross depth
1 BERG Front mudguards black	15.03.32.00	1 kg	0.01 kg	32x11x18
2 BERG Rubber Go-kart bumper (for XL Frame)	15.08.28.01	3.3 kg	0.1 kg	20x10x10
3 BERG Support strut	15.09.08.00	1.1 kg	0.1 kg	20x10x10
4 BERG Light set	15.20.45.00	0.57 kg	0.58 kg	20x10x10
5 BERG Comfort seat	15.20.54.00	6.3 kg	7 kg	58x22x38
6 BERG Mirror set	15.21.01.00	0.31 kg	0.32 kg	20x10x10
7 BERG Speedometer	15.23.12.01	0.2 kg	0.2 kg	13x9x7.5
8 BERG Horn 2-tones	15.24.02.00	0.23 kg	0.24 kg	20x10x10
9 BERG Flashing light orange on pole	15.24.70.01	1.6 kg	1.94 kg	12x14x119
10 BERG Flashing light orange for roll-bar	15.24.80.01	0.6 kg	0.7 kg	14x11x15
11 BERG Flashing light cover blue	16.24.20.00	0.3 kg	0.31 kg	10x15x10

* Look at our website or specification list which accessorie is suitable per go-kart



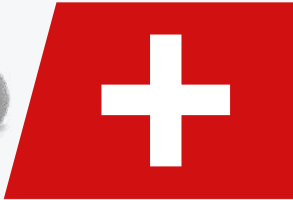


BERG LRO ACCESSORIES

Inspiring Active Play

Accessorie	Art. nr.	Netto weight	Tare weight	Gross depth
1 BERG Rear lifting unit	15.60.30.03	5.7 kg	5.9 kg	42x11x24
2 BERG Front lifting unit	15.60.40.01	5.8 kg	6.5 kg	62x19.5x38.5
3 BERG Roll bar Farm	15.63.01.00	5.2 kg	6.2 kg	52x52x16
4 BERG Roll bar Offroad	15.63.11.00	5.75 kg	6.22 kg	47x16x47
5 BERG Spare wheel X-Plore	15.63.23.00	4.66 kg	5.3 kg	51x46x19
6 BERG Spare wheel Jeep®	15.63.24.00	5.22 kg	5.86 kg	51x46x19
7 BERG Exhaust Farm	15.63.40.00	2.2 kg	2.2 kg	22x17x57
8 BERG License plate kit (for XL Frame)	15.63.42.00	0.8 kg	0.9 kg	12x10x26
9 BERG Side skirts Race GTS	15.63.51.00	5.28 kg	5,68 kg	81x19x27
10 BERG Liftbucket	15.60.50.01	7.79 kg	8.17 kg	58x28x32
11 BERG Pallet fork	15.60.55.01	5.5 kg	6.2 kg	51x60x27
12 BERG Bulldozer blade	15.60.60.01	7.5 kg	8.2 kg	73x17x25

* Look at our website or specification list which accessorie is suitable per go-kart





BERG LRO ACCESSORIES

Inspiring Active Play

Accessorie	Art. nr.	Netto weight	Tare weight	Gross depth
1 BERG Trailer XL	18.08.00.00	14.5 kg	17 kg	57x18x90
2 BERG Steel Trailer XL	18.08.02.00	18.2 kg	20.7 kg	57x18x90
3 BERG Tandem Trailer XL	18.08.04.00	19.0 kg	22.6 kg	133x72x42

* Look at our website or specification list which accessorie is suitable per go-kart





BERG LRO ACCESSOIRES

Inspiring Active Play

Accessoire	Art. nr.	Netto weight	Tare weight	Gross depth
1 BERG Duostoel Basic/Extra Blue	15.37.00.00	4.6 kg	5.4 kg	56x23x38
2 BERG Duostoel Jeep®	15.37.01.00	4.6 kg	5.4 kg	56x23x38
3 BERG Duostoel John Deere	15.37.02.00	4.6 kg	5.4 kg	56x23x38
4 BERG Duostoel CLAAS	15.37.03.00	4.6 kg	5.4 kg	56x23x38
5 BERG Duostoel Case IH	15.37.04.00	4.6 kg	5.4 kg	56x23x38
6 BERG Duostoel New Holland	15.37.05.00	4.6 kg	5.4 kg	56x23x38
7 BERG Duostoel Fendt	15.37.06.00	4.6 kg	5.4 kg	56x23x38
8 BERG Duostoel DEUTZ-FAHR	15.37.07.00	4.6 kg	5.4 kg	56x23x38
9 BERG Duostoel X-Cross	15.37.08.00	4.6 kg	5.4 kg	56x23x38
10 BERG Duostoel Race GTS	15.37.15.00	4.6 kg	5.4 kg	56x23x38
11 BERG Duostoel X-Plore	15.37.10.00	4.6 kg	5.4 kg	56x23x38
12 BERG Duostoel Black Edition	15.37.11.00	4.6 kg	5.4 kg	56x23x38
13 BERG Duostoel Extra Sport Red	15.37.14.00	4.6 kg	5.4 kg	56x23x38
14 BERG Passenger seat Black	15.37.16.00	4.6 kg	5.4 kg	56x23x38
15 BERG Passenger seat Yellow	15.37.18.00	4.6 kg	5.4 kg	56x23x38

* Look at our website or specification list which accessorie is suitable per go-kart



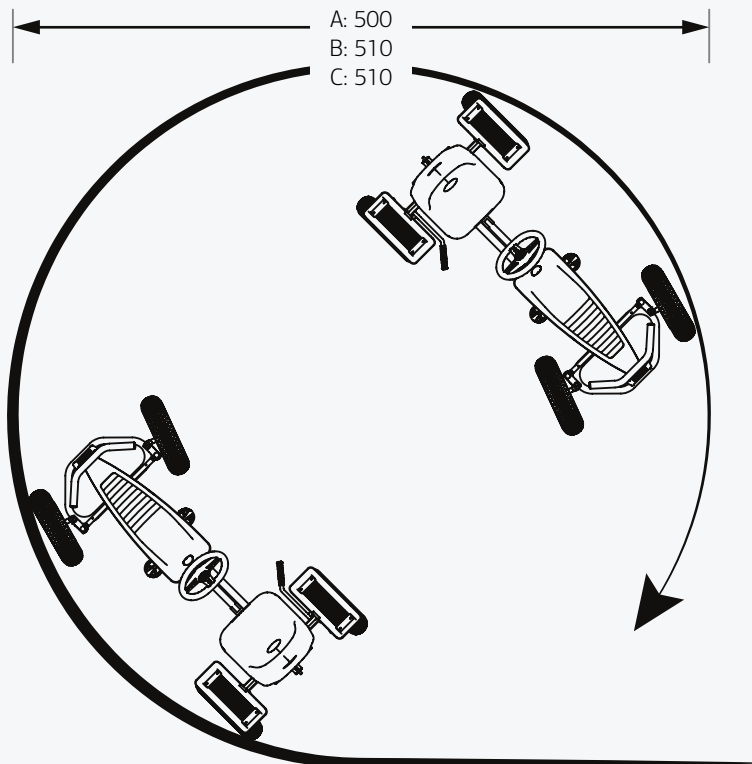


BERG LRO DATA

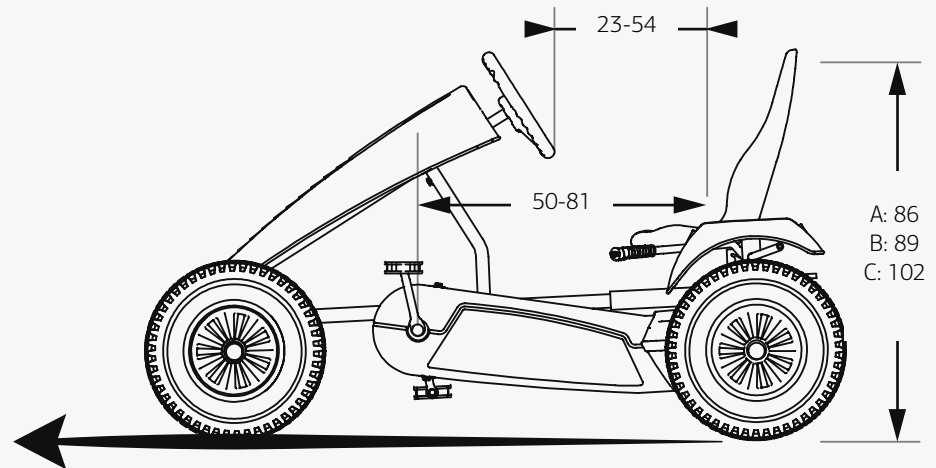
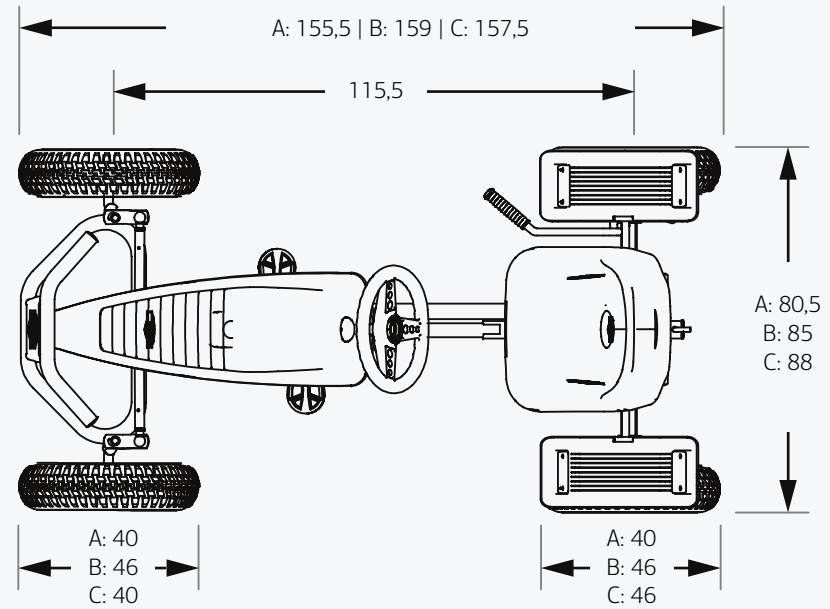
Inspiring Active Play

All data is applicable on all XL Frame models unless indicated otherwise.

A: General models | B: Safari | C: Farm models



*All sizes in cm





BERG LRO DATA

Inspiring Active Play

General

Recommended age	5+
Max user height	190 cm
Max user weight	100 kg
Parental supervision required	Yes
Safety mark	CE
Assembly time	<30 min

Warranty

Frame	2 years
Parts	2 years
Tyres	0 years

Technical characteristics

Gears	None
Tyre type	Pneumatic tyres
Frame material	Steel
Forward and backward	Yes
Braking system	BFR
Parking brake	Yes
Transmission	BFR
Ball bearings	Yes
Swing axle	Yes
Adjustable seat	Yes
Adjustable steering wheel	No
Trailer connection	Yes



