



BERG RALLY

Productsheet XL



RALLY ORANGE, JEEP® ADVENTURE PEDAL GO-KART,
RALLY FORCE, RALLY PEARL

Experience years of
carefree playing fun!

years
4-12
110 to 150 cm

BERGTOYS.COM



BERG RALLY

Perfect Pedal Power

You will have the best adventures with your BERG Rally. This cool go-kart is stable and safe. You will remain firmly on the ground even when going round the sharpest corners. In short, discover the world with this cool go-kart!

You won't need to worry about a thing during your adventures, because the BERG Rally meets all safety requirements. The BFR-system enables you to go tearing around easily. The BERG Rally will grow with you for many years so you will have fun for a long time to come.

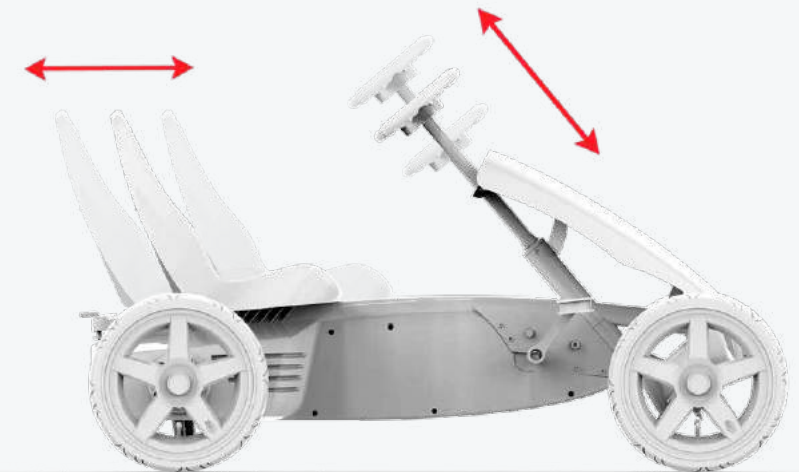
The BERG Rally includes all the features that make it much safer and offer more fun.

- Unique BFR-system
- Stabiel door 4 wielen
- A swing axle for perfect roadholding
- The four wheels ensure stability
- Comfortable pneumatic tyres
- Adjustable steering wheel and seat
- Suitable for children aged 4-12
- CE approved

1. ADJUSTABLE STEERING WHEEL AND SEAT

To give you many years of enjoyment, the BERG Rally's steering wheel and seat can be adjusted. It means you can get into the ideal position in the go-kart. The seat has three positions enabling you to reach the pedals at all times. In addition, the Rally steering wheel is infinitely height adjustable so that you can easily determine the right height.

Tear around carefree!



*Experience years of
carefree playing fun!*

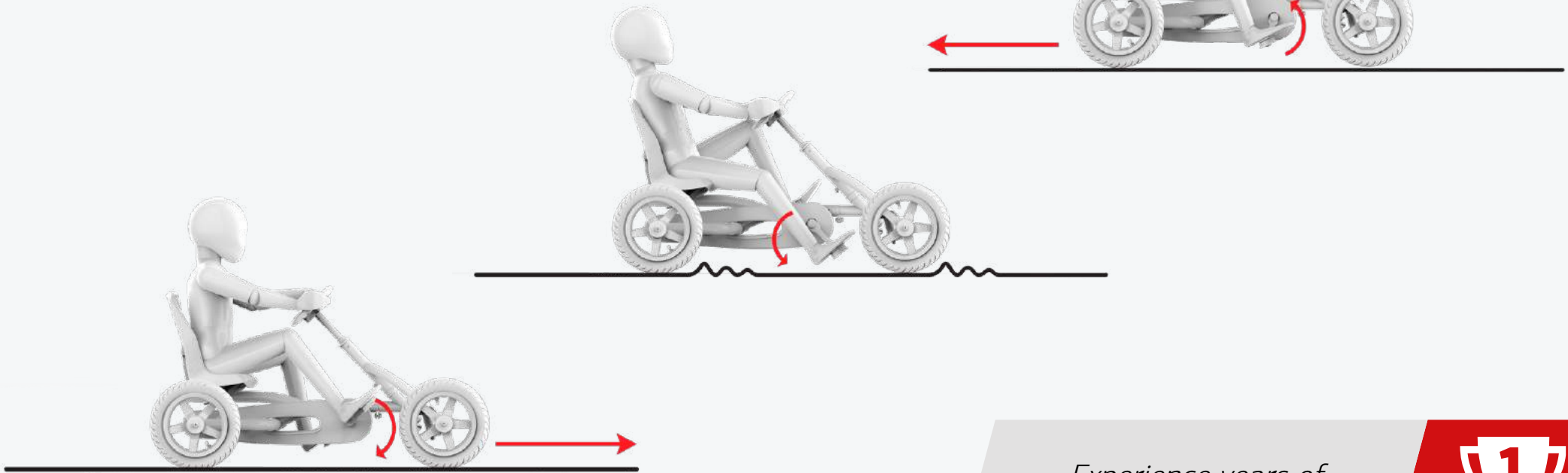




2. BFR-SYSTEM

The BERG Rally is equipped with the unique, patented BFR-system. BFR stands for: Break, Forward and Reverse. The BFR-system allows you to brake using the pedals, but also reverse immediately after coming to a standstill. This makes the BERG Rally super simple and easy to ride.

Safety and maximum fun are perfectly combined due to the BFR-system.



Experience years of
carefree playing fun!

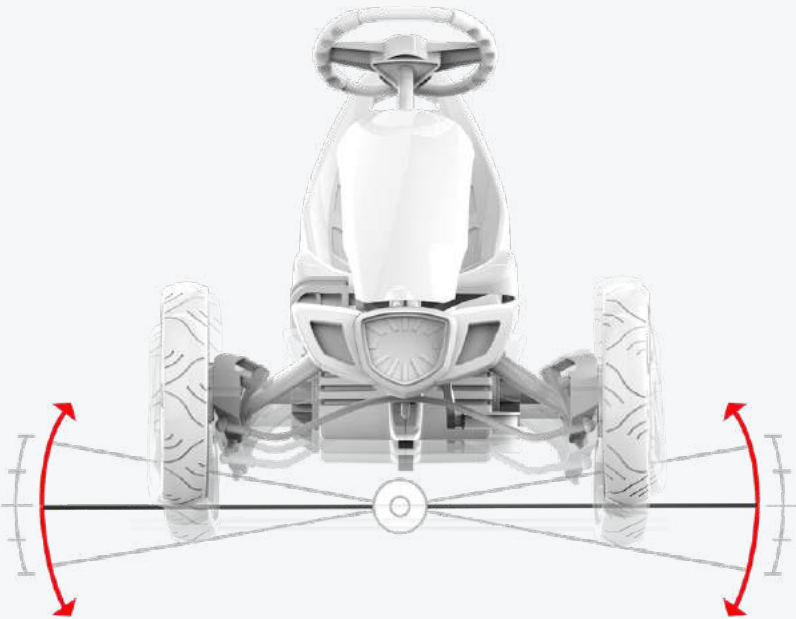




3. STABLE THANKS TO 4 WHEELS

Thanks to its four wheels, the BERG Rally has excellent stability. They allow you to corner quickly, sharply and safely. No tipping point occurs, so tipping over is virtually impossible.

The BERG Rally has a swing axle. This creates a swinging motion of the front wheels as a result of which bumps in the road are absorbed. Consequently, the BERG Rally stays firmly on the ground. A safe solution!



Experience years of
carefree playing fun!

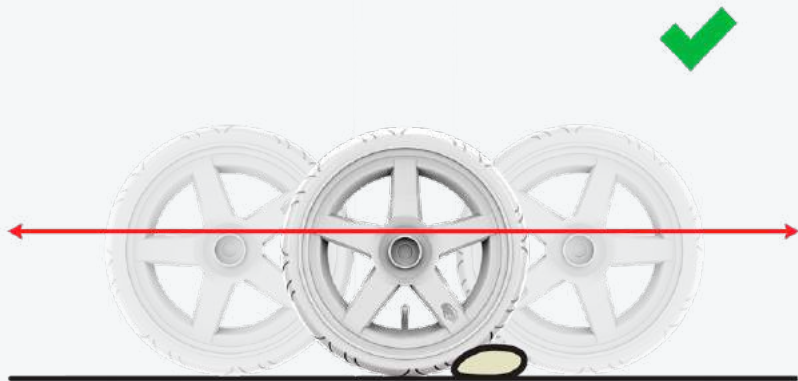




4. PNEUMATIC TYRES

The BERG Rally has pneumatic tyres. They give you a smoother ride because these tyres have less rolling resistance and make pedalling lighter. This means that you will also be able to go faster.

Pneumatic tyres are more durable than solid rubber tyres. These tyres give you an extra comfortable ride on the BERG Rally.



*Experience years of
carefree playing fun!*





24.40.30.00

BERG RALLY FORCE

Perfect Pedal Power

The Rally is the ideal go-kart for children from 4 to 12 years old. This cool, compact go-kart is a great toy and encourages children to want to play outdoors and have fun.

Exploring the neighbourhood, organising a race - you can do all this with the BERG Rally. The BERG Rally Force comes in great colours and has a cool front spoiler.



Grows with you due to the adjustable steering wheel and seat

Extra comfort thanks to the pneumatic tyres

Firmly and safely grounded due to the 4 wheels and swing axle

The BFR-system allows you to brake using the pedals, but also reverse immediately after coming to a standstill



Weight product: 25 kg
Weight with box: 27 kg
Box size (cm): 120x36x33

years
4-12
110 to 150 cm



24.40.40.00

BERG RALLY PEARL

Perfect Pedal Power

The BERG Rally Pearl has the exciting colour combinations and compact design of a real eye-catcher in the neighbourhood! The go-kart has a small turning circle, making it very manoeuvrable.

The Rally Pearl is equipped with the BFR system. With the BFR system, you can drive forwards, brake but also reverse by simply pedalling forwards and backwards.



Grows with you due to the adjustable steering wheel and seat

Extra comfort thanks to the pneumatic tyres

Firmly and safely grounded due to the 4 wheels and swing axle

The BFR-system allows you to brake using the pedals, but also reverse immediately after coming to a standstill



Weight product: 25 kg
Weight with box: 27 kg
Box size (cm): 120x36x33

years

4-12

110 to 150 cm

BERGTOYS.COM

EAN-CODE: **8715839066586**



24.40.00.00

BERG RALLY ORANGE

Perfect Pedal Power

The BERG Rally Orange is a nice, compact go-kart that you can play outdoors in anywhere. You can explore your neighbourhood or organise a race. There's nothing you can't do with this go-kart. A unique and safe element of this go-kart is the BFR-system, enabling you to brake with the pedals and, after coming to a standstill, immediately pedal backwards. Because the seat and steering wheel are both adjustable, the BERG Rally Orange is suitable for children aged 4 to 12.



Grows with you due to the adjustable steering wheel and seat

Extra comfort thanks to the pneumatic tyres

Firmly and safely grounded due to the 4 wheels and swing axle

The BFR-system allows you to brake using the pedals, but also reverse immediately after coming to a standstill

Weight product: 25 kg
Weight with box: 27 kg
Box size (cm): 120x36x33

years

4-12

110 to 150 cm

BERGTOYS.COM

EAN-CODE: **8715839030310**



24.40.10.00

JEEP® ADVENTURE PEDAL GO-KART

Perfect Pedal Power

Everyone will be jealous of you when you go tearing around on this beautifully designed go-kart. The Jeep Adventure is a light and compact go-kart in which you can easily venture down the smallest of pathways.

The unique BFR system enables you to brake with the pedals and, after coming to a standstill, immediately pedal backwards.



Jeep REGISTERED TRADEMARK
Jeep, the Jeep grille and related logos, vehicle model names and trade dress are trademarks of FCA US LLC and used under license by BERG Toys. ©2020 FCA US LLC.

Weight product: 27 kg
Weight with box: 29 kg
Box size (cm): 120x37x35

years
4-12
110 to 150 cm

BERGTOYS.COM

EAN-CODE: **8715839042108**



CHARACTERISTICS

Grows with you due to the adjustable steering wheel and seat

Suitable for children aged 4-12

Two different trailers available as an accessory

Smooth and light pedaling thanks to the use of ball bearings

Equipped with coaster brake and parking brake

The BFR system allows you to brake using the pedals, but also reverse immediately after coming to a standstill.



Compact and light design; small, agile

Equipped with very solid pneumatic tyres for quiet and comfortable driving comfort

Firmly and safely grounded due to the 4 wheels and swing axle

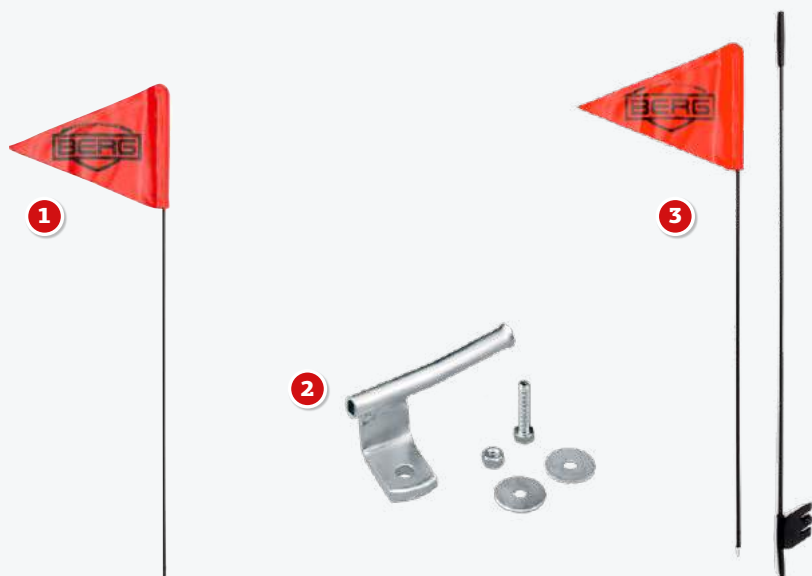




BERG RALLY ACCESSORIES

Perfect Pedal Power

Accessory	Article	Product weight	Product weight + Box	Box size in CM
1 BERG Buddy Flag (includes support)	16.99.42.00	0.25 kg	0.3 kg	100x2x20
2 BERG Flag support	56.09.03.00	- kg	- kg	5x5x10
3 BERG Flag	50.99.42.01	- kg	- kg	2x2x100
4 BERG Junior Trailer (without towbar)	24.20.00.00	5.5 kg	6 kg	23x62x42
5 BERG Tandem Trailer L	18.08.03.00	9 kg	11.5 kg	57x18x90

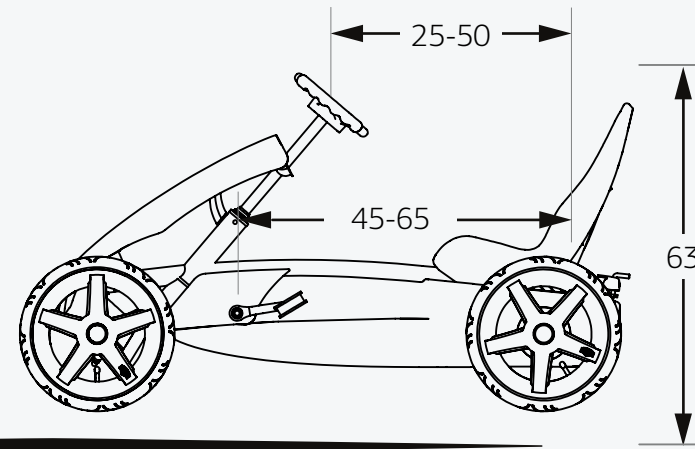
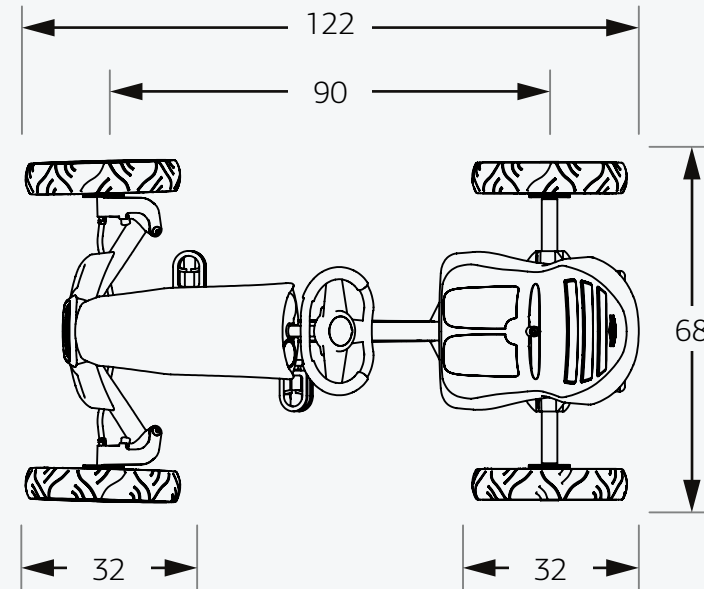
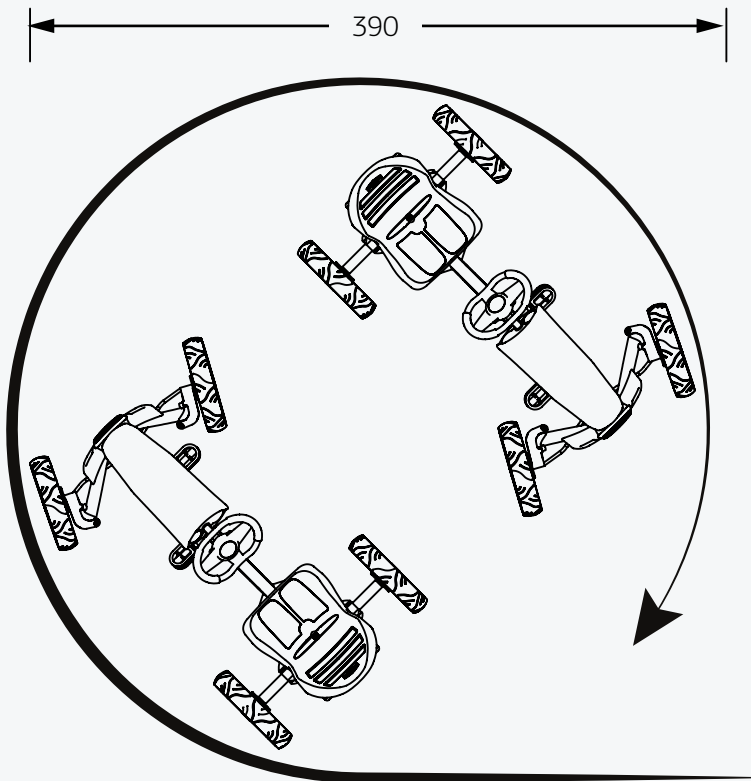




BERG RALLY DATA

Perfect Pedal Power

The following data is applicable on all Rally versions.



* All dimensions in cm





BERG RALLY DATA

Perfect Pedal Power

General

Recommended age	4 - 12 years
Min user height	110 cm
Max user height	150 cm
Max user weight	60 kg
Parental supervision necessary	Yes
Safety mark	CE
Assembly time	±30 min

Physical characteristics

Length	124 cm
Width	70 cm
Height	64 cm

Warranty

Frame	2 years
Parts	2 years
Tyres	0 years

Technical characteristics

Gears	N.A.
Tyre type	Pneumatic
Frame material	Steel
Forward and backward	Yes
Braking system	BFR
Parking brake	N.A.
Transmission	BFR
Ball bearings	Yes
Swing axle	Yes
Adjustable seat	Yes
Adjustable steering wheel	Yes
Trailer connection	Yes

Packaging

Dimensions	120x36x33 120x37x35 (Jeep® Adventure)
Cardboard in packaging	1.50 kg
Synthetic material in packaging	0.05 kg
Hardboard in packaging	0 kg
Number on Euro pallet	10 pieces

* This information is subject to change and may vary



